

# HOME LIFT



**START  
ELEVATOR**

OLEODINAMIC COMPONENTS FOR LIFTS





**START  
ELEVATOR**  
OLEODINAMIC COMPONENTS FOR LIFTS

# Hydraulic components for lifts and elevators

**Design and production of hydraulic components for lifts and elevators.**

**Highly skilled in the creation of Special Plants.**

**Since 1967 START ELEVATOR HYDRAULIK has produced "Oleodynamic Groups for Elevators and Equipment-Lifts".**

Thanks to "on-site" design and construction of fundamental components, to technological innovation and to the presence of highly specialized staff, START ELEVATOR Srl has turned into a very competitive company, able to guarantee product quality and to promptly respond to everything the market requires.

## **Technology**

Thanks to the total domestic production of all components using modern tools and constantly updated, specialized and trained personnel with years of experience, allows Start Elevator to respect the most important prerogative: the Product Quality.

## **Establishment**

The Company, founded in a small workshop of a few hundred square meters, thanks to continuous investment in research and development of its products, now has a Start Elevator home to more than 5000 square meters with the capacity and flexibility to satisfy every request in a short time.

# GRUPPO VALVOLE 96E

GRUPPI VALVOLE



## Technical features Valve Groups 96E

Pressure Range [Bar] 10 – 70

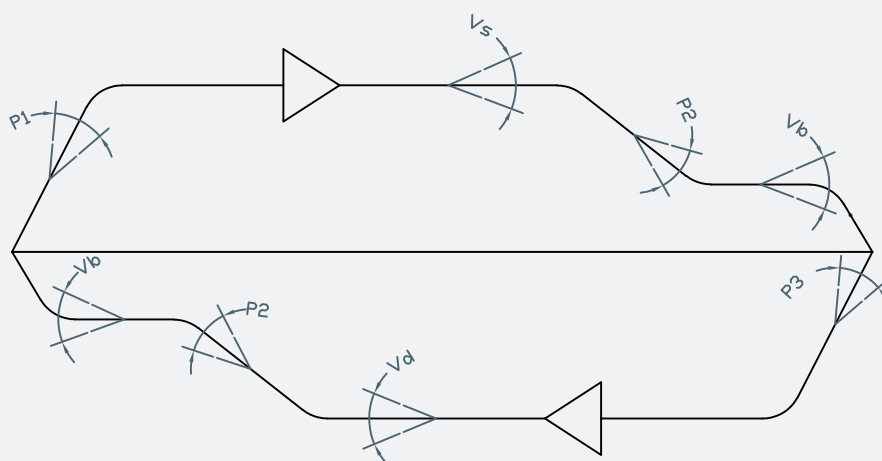
Temperature Range [C°] 8 – 60

Flow Range [Lt/min] 6 – 55

Aluminium body

Constant speed at loads changing

Valve group 96E



### Parameters

- P1. Acceleration ramp uphill
- P2. Deceleration (adjustable)
- P3. Acceleration ramp downhill (adjustable)
- Vs. High speed uphill (adjustable)
- Vd. High speed downhill (adjustable)
- Vb. Low speed (adjustable)

# GRUPPO VALVOLE 98U

GRUPPI VALVOLE



Valve group 98U

## Technical features Valve Groups 98U

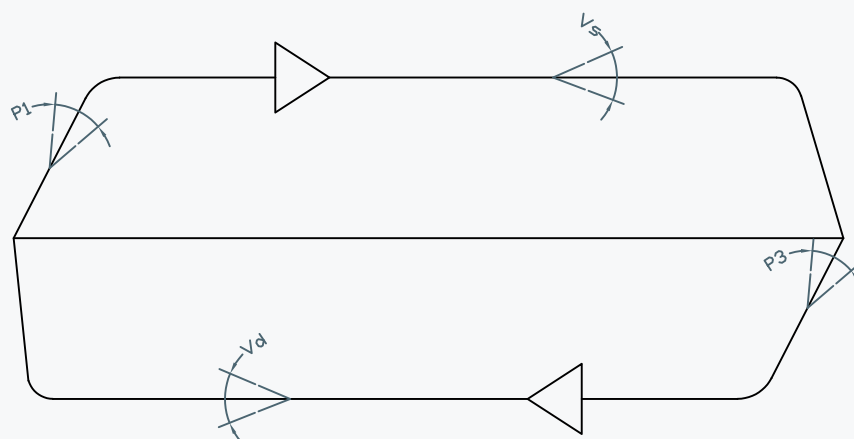
Pressure Range [Bar] 10 – 70

Temperature Range [C°] 8 – 60

Flow Range [Lt/min] 6 – 55

Aluminium body

Constant speed at loads changing



### Parameters

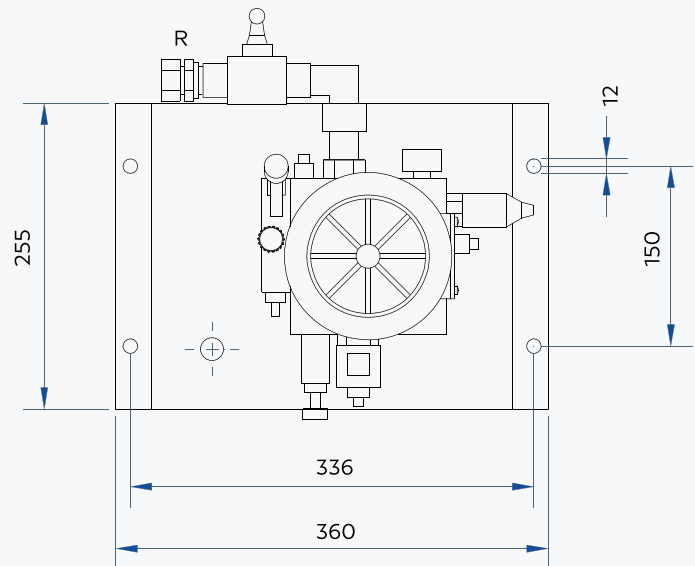
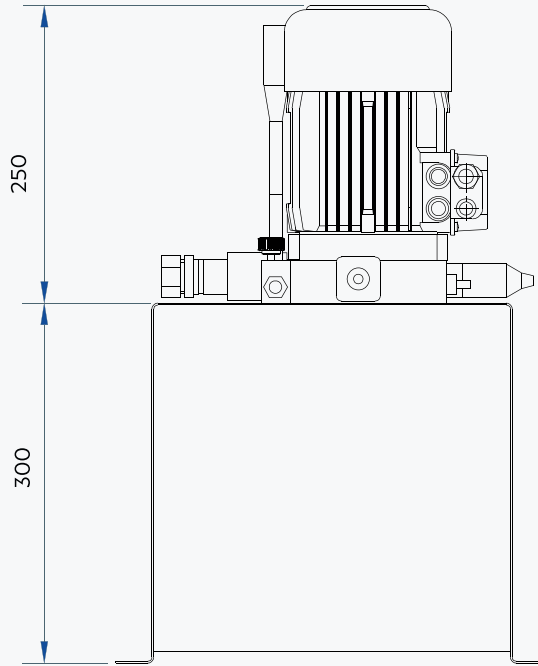
P1. Acceleration ramp uphill

P3. Acceleration ramp downhill (adjustable)

Vs. High speed uphill (adjustable)

Vd. High speed downhill (adjustable)

# PUMP UNIT UP-DOWN

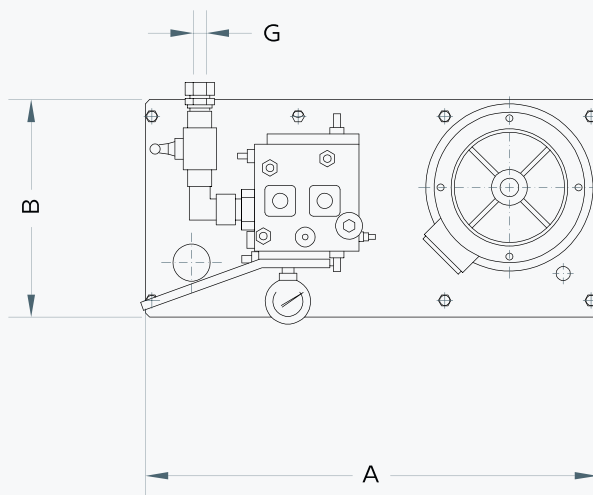
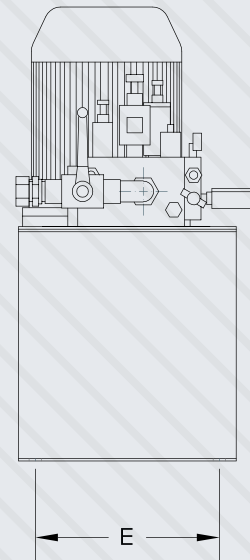
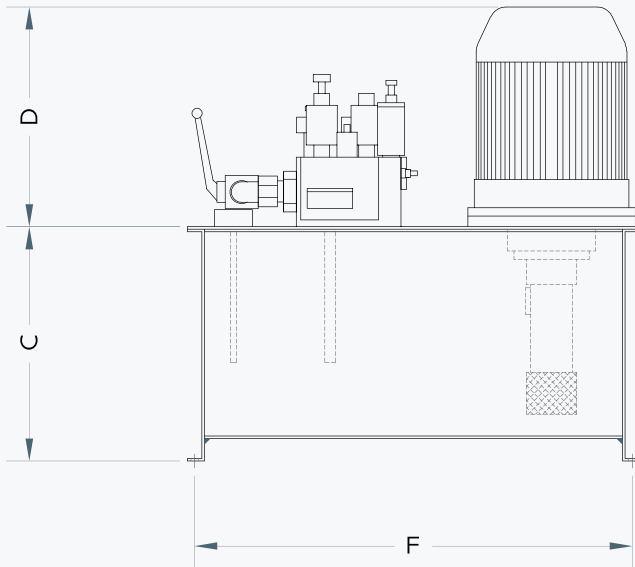


Dimensions in mm

N. Pole Motor	Tank type	Pump type [l/min]	Connect [Gas - mm]		CAPACITY [litres]		WEIGHT [kg]
			R		Min.	Disponibile	
4	UP-DOWN	<b>6, 8, 12, 16</b>	G 3/8 - G 1/2	22	4	18	30

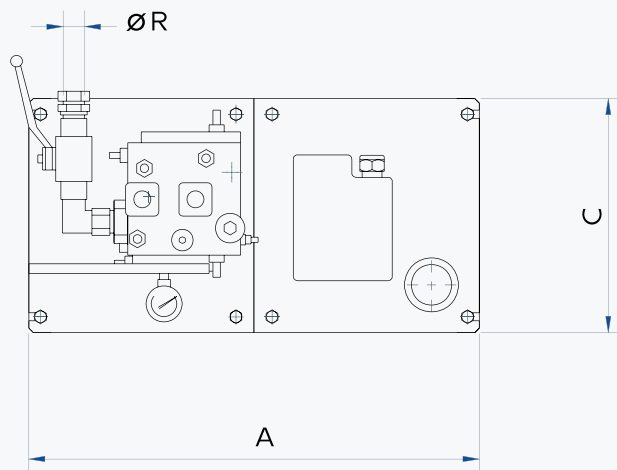
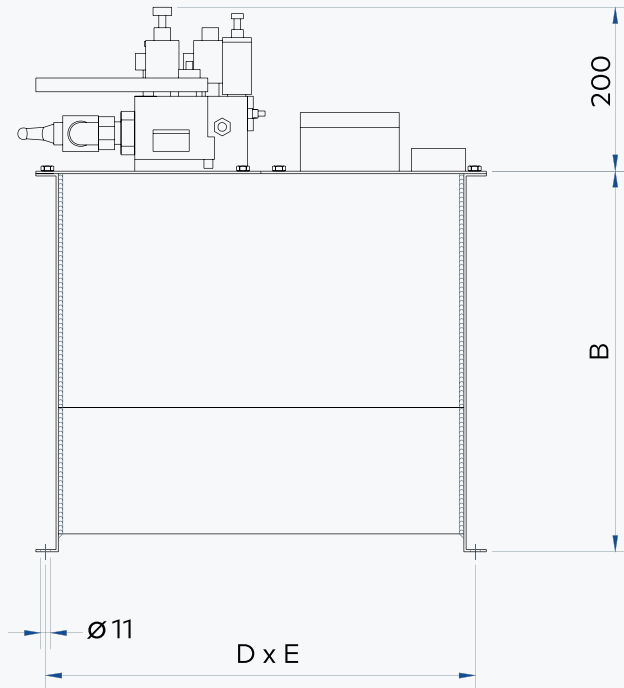
# PUMP UNIT AIR MOTOR

PUMP UNITS



Tank type	Flow [Lt/min]	Uscita [Gas]	Uscita [mm]	A [mm]	B [mm]	C [mm]	D [mm]	E [mm]	F [mm]	Capacity [Lt]	
		G	G							Min	Max
98/01SL	8 - 35	3/8" - 1"	22 - 28	540	260	280	295	220	523	8	19
90/01	8 - 35	3/8" - 1"	22 - 28	450	315	280	295	275	426	8	19
96/SL	8 - 55	3/8" - 1"	22 - 28	570	355	363	310	315	466	9	32
01/	8 - 55	3/8" - 1"	22 - 28	720	415	403	330	375	690	17	53

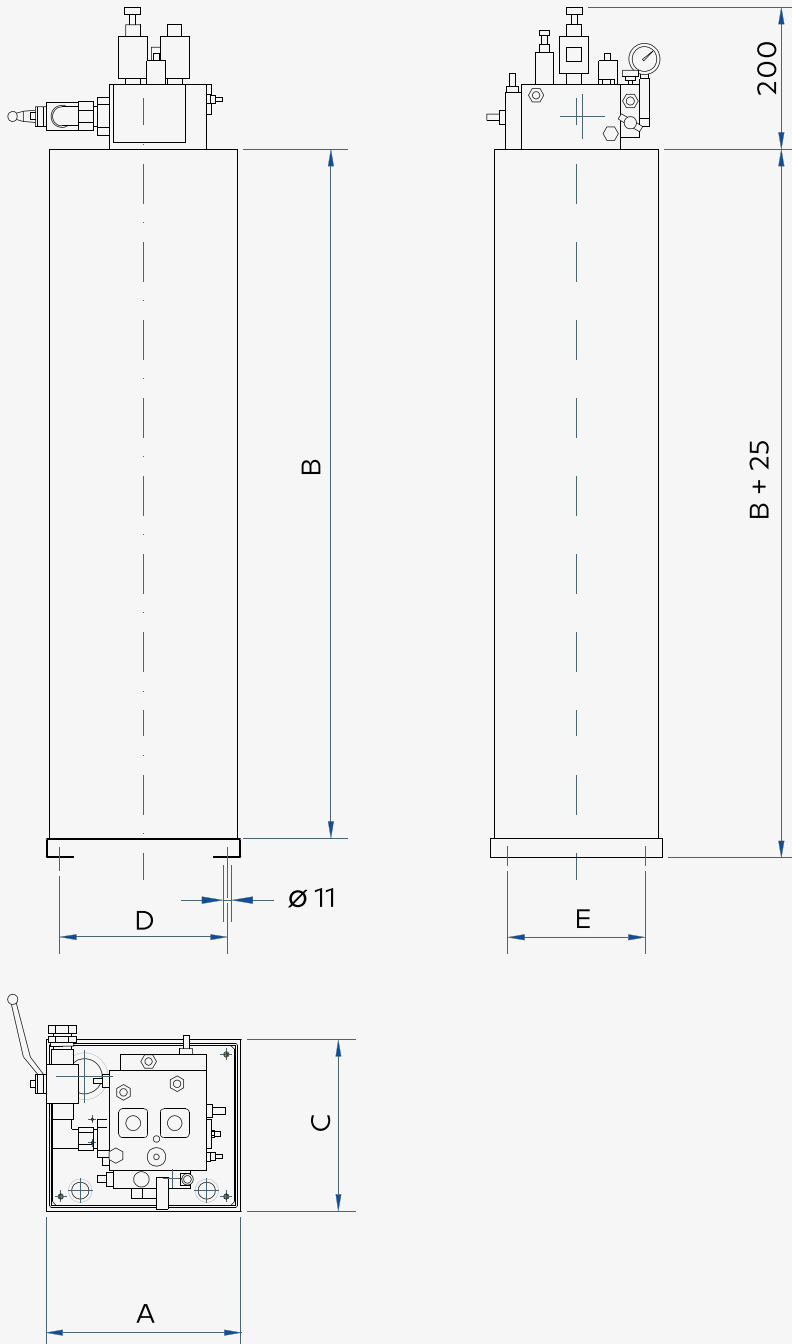
# PUMP UNIT SUBMERSIBLE MOTOR



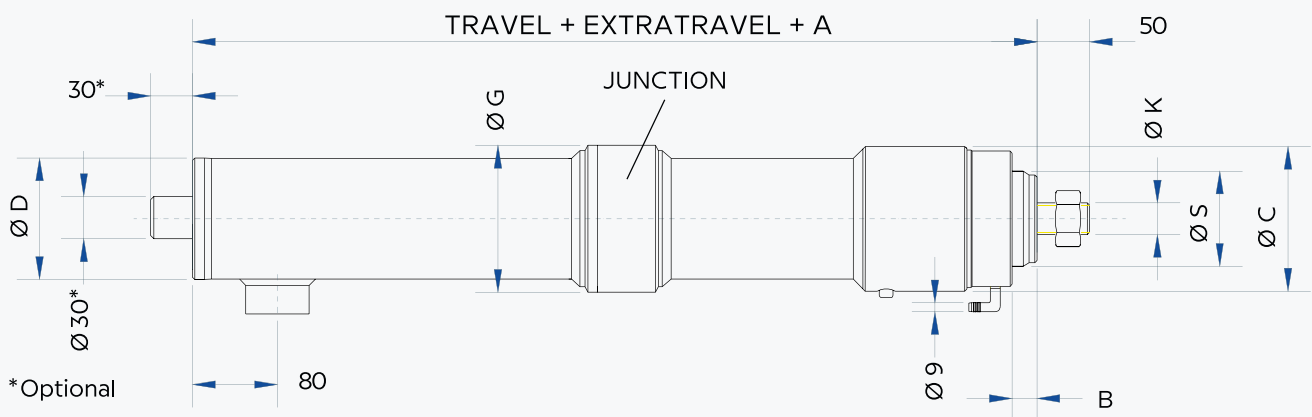
Tank type	Pump type [l/min]	Connector [Gas - mm] <b>R</b>	DIMENSIONS [mm]					CAPACITY [litri]		WEIGHT [kg]
			<b>A</b>	<b>B</b>	<b>C</b>	<b>D</b>	<b>E</b>	<b>Min.</b>	<b>Disponibile</b>	
03/01	8, 12, 16 25	G 1/2 - G 3/4 G 3/4	520	443	260	495	220	12	24(1) - 26	40
03/02	34 - 40	G 3/4	600	443	320	575	280	16	32(1) - 34	45



# PUMP UNIT VERTICAL



Tank type	Pump type [l/min]	Connector [Gas - mm]	DIMENSIONS [mm]					CAPACITY [litri]		WEIGHT [kg]
		R	A	B	C	D	E	Min.	Disponibile	
HSL/01	8, 12, 16 25, 30	G 1/2 - G 3/4 - 22 G 3/4 - 22	250	900	220	215	176	17	25	50
HSL/02	8, 12, 16 25, 30	G 1/2 - G 3/4 - 22 G 3/4 - 22	250	1200	220	215	176	17	40	55



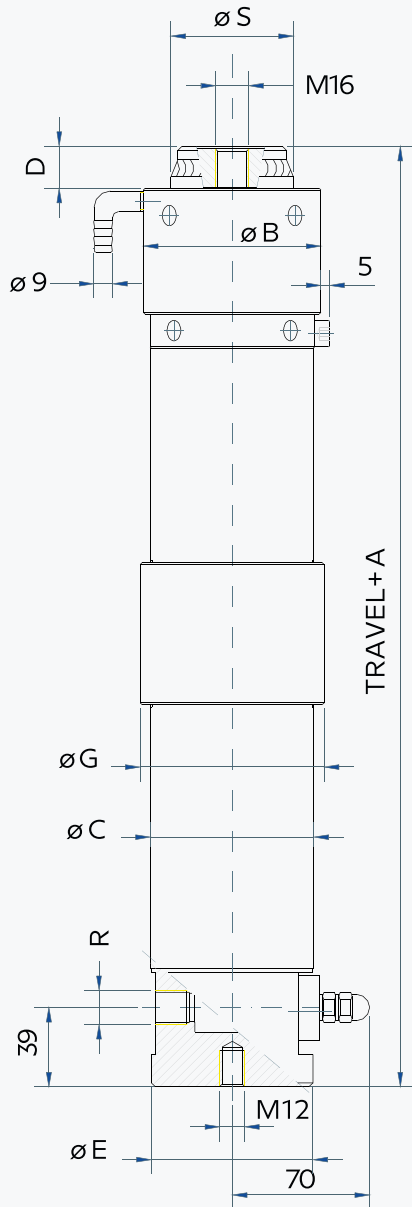
### Piston SL features

Small size

Less quantity of oil

PISTON TYPE [mm]		DIMENSIONS [mm]					
ØS	Spessori	A	B	Ø C	Ø D	Ø G	Ø K
80	5-7.5-12	200	23	126	101.6	130	M30
90	5-7.5-12	200	23	137	114.3	139	M30
100	5-7.5-12	200	23	157	133	159	M30

# PISTON HOME



## Piston Home features

- Small size
- Less quantity of oil
- Safety valve integrate in the bottom of piston

PISTON TYPE $\varnothing S$ [mm]	A	B	C	D	E	G	R
<b>60</b>	262	87	80	20	79	96	G 1/2
<b>70</b>	262	100	90	20	89	106	G 1/2



**START  
ELEVATOR**  
COMPONENTI OLEODINAMICI PER ASCENSORI

**START ELEVATOR SRL**

29010 Incrociata di Calendasco (PC) - ITALIA  
Tel. 0039 0523 771131 - 772774  
Fax 0039 0523 771632

**[www.startelevator.it](http://www.startelevator.it)**  
[startelevator@startelevator.it](mailto:startelevator@startelevator.it)