



Le Guide per Ascensori – The Elevator's Guide Rails

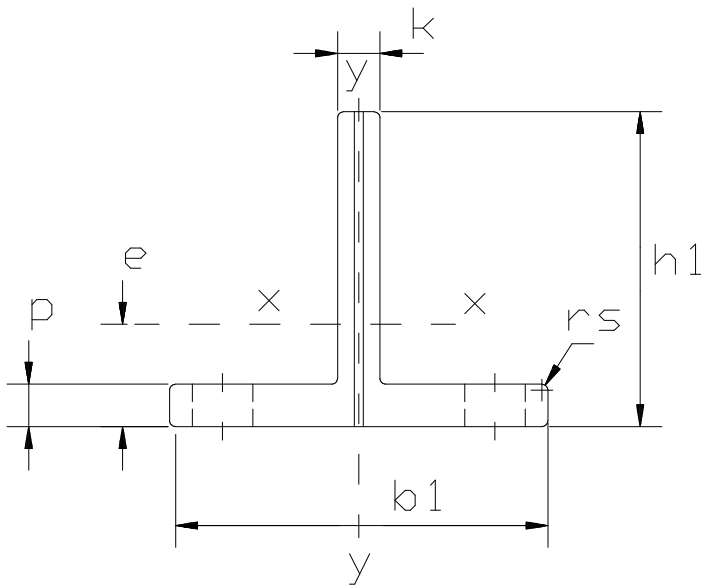


**ITASIA Srl**

Via Emilia , 35 Roveleto 29010 Cadeo Piacenza Italy - Eu  
Tel. + 39 0523 509927 , Fax.+ 39 0523 500218 ,Cell. +393355669646  
P.IVA IT00980930333 C.F.01568430340  
E-mail: [itasia@itasia.it](mailto:itasia@itasia.it) – [www.itasia.it](http://www.itasia.it)

**GL 445 45x45x5 ISO 7465 T 45/A**

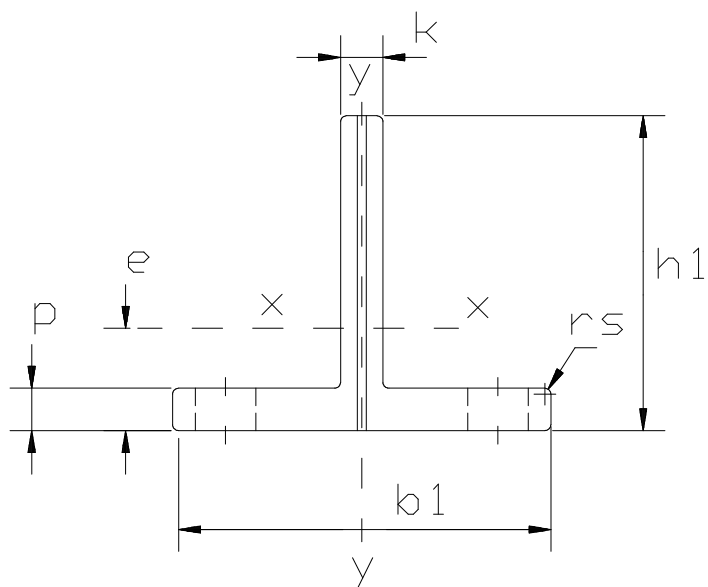
Profilo



COD. =	GL 445
ISO 7465 =	T 45/A
$b_1 = 45$ mm	$\pm 0.5$
$h_1 = 45$ mm	$\pm 0.2$
$k = 5$ mm	$\pm 0.15$
$p = 5$ mm	$\pm 0.5$
$r_s = 1$ mm	

**GL 505 50x50x5 ISO 7465 T 50/A**

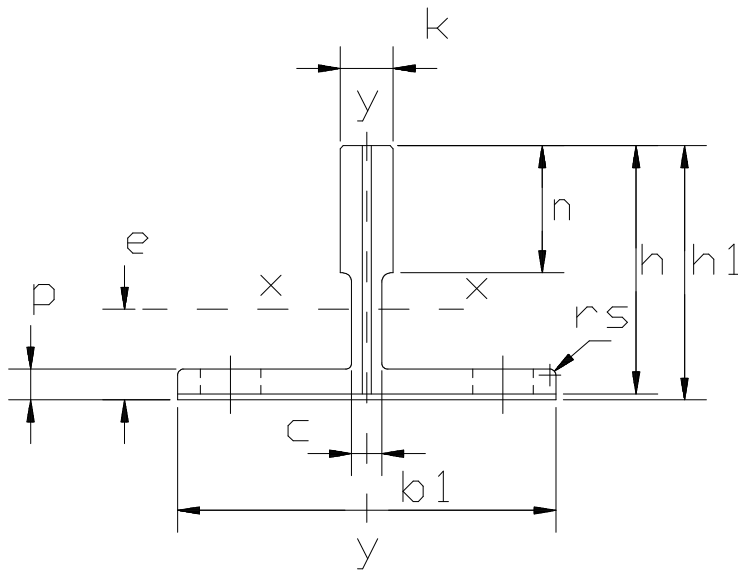
Profilo



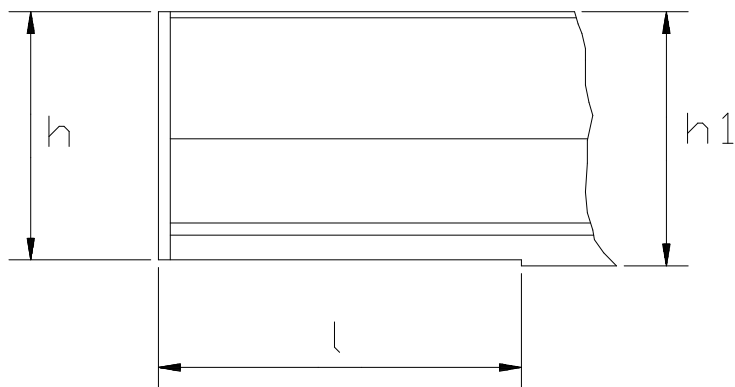
COD. =	GL 505
ISO 7465 =	T 50/A
$b_1 = 50$ mm	+/-0.5
$h_1 = 50$ mm	+/-0.2
$k = 5$ mm	+/-0.15
$p = 5$ mm	+/-0.5
$r_s = 1$ mm	

**GF 765 70x65x9 ISO 7465 T 70-1/A**

Profilo



COD. =	GF 765
ISO 7465 =	T 70-1/A
b1 =	70 mm +/-1.5
h1 =	65 mm +/-0.1
h =	64 mm +/-0.1
k =	9 mm 0/+0.1
n =	34 mm 0/+3
c =	6 mm
p =	7 mm +/-0.75
rs =	1.5 mm
l =	128 mm 0/+3

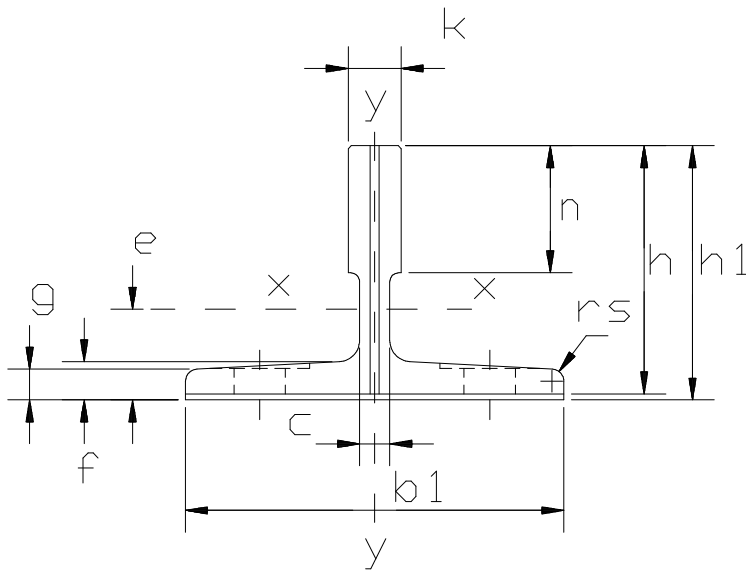


LEGENDA TABELLA

h >> Disponibile su richiesta

**GF 975 90x75x16 ISO 7465 T 90/A**

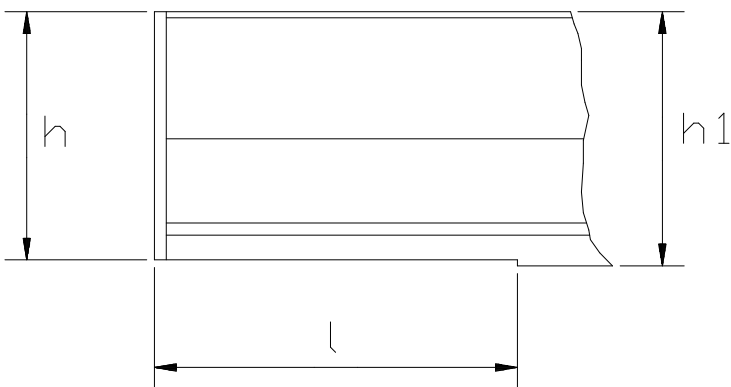
Profilo



COD. =	GF 975
ISO 7465 =	T 90/A
b1 =	90 mm +/-1.5
h1 =	75 mm +/-0.1
h =	74 mm +/-0.1
k =	16 mm 0/+0.1
n =	42 mm 0/+3
c =	10 mm
g =	8 mm +/-0.75
f =	10 mm
rs =	4 mm
l =	156 mm 0/+3

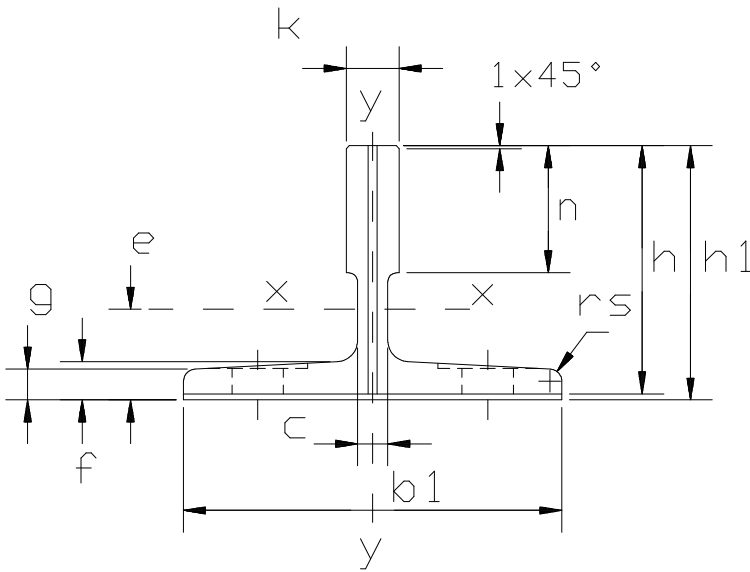
LEGENDA TABELLA

h >> Disponibile su richiesta



**GM 975 90x75x16 ISO 7465 T 90/B**

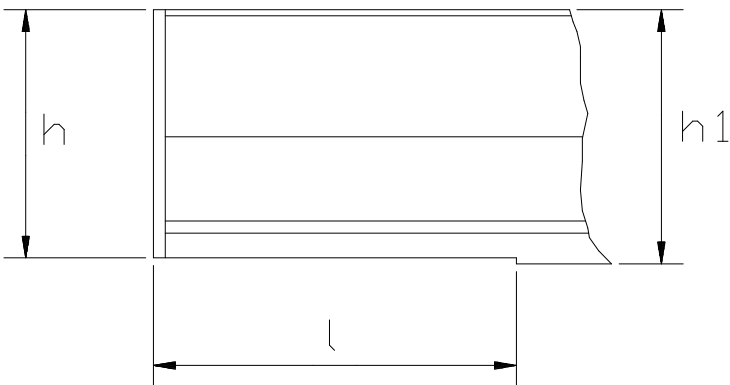
Profilo



COD. =	GM 975
ISO 7465 =	T 90/B
$b_1 =$	90 mm $\pm 1.5$
$h_1 =$	75 mm $\pm 0.1$
$h =$	74 mm $\pm 0.1$
$k =$	16 mm $0/+0.1$
$n =$	42 mm $0/+3$
$c =$	10 mm
$g =$	8 mm $\pm 0.75$
$f =$	10 mm
$r_s =$	4 mm
$l =$	156 mm $0/+3$

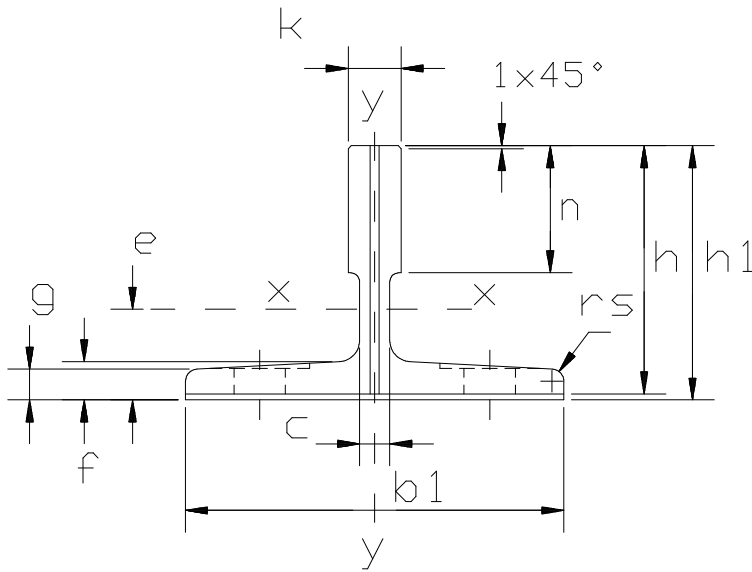
LEGENDA TABELLA

h >> Disponibile su richiesta



**GM 125 125x82x16 ISO 7465 T 125/B**

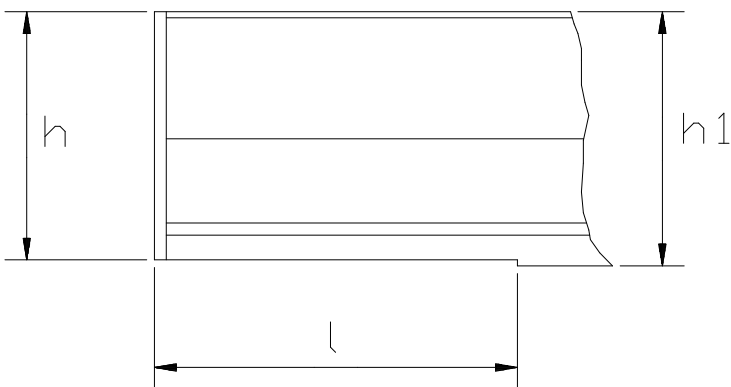
Profilo



COD. =	GM 125
ISO 7465 =	T 125/B
b1 =	125 mm +/-1.5
h1 =	82 mm +/-0.75
h =	81 mm +/-0.1
k =	16 mm 0/+0.1
n =	42 mm 0/+3
c =	10 mm
g =	9 mm +/-0.75
f =	12 mm
rs =	4 mm
l =	156 mm 0/+3

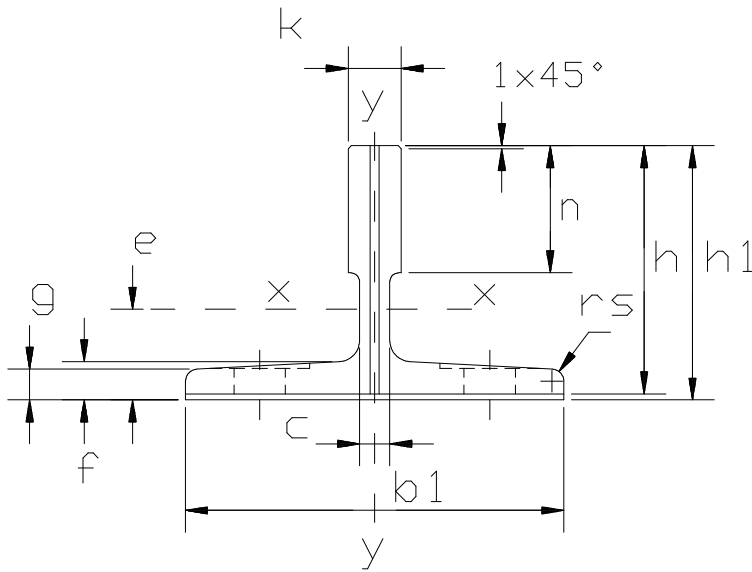
LEGENDA TABELLA

h >> Disponibile su richiesta



**GM 127-2 127x88.9x15.88 ISO 7465 T 127-2/B**

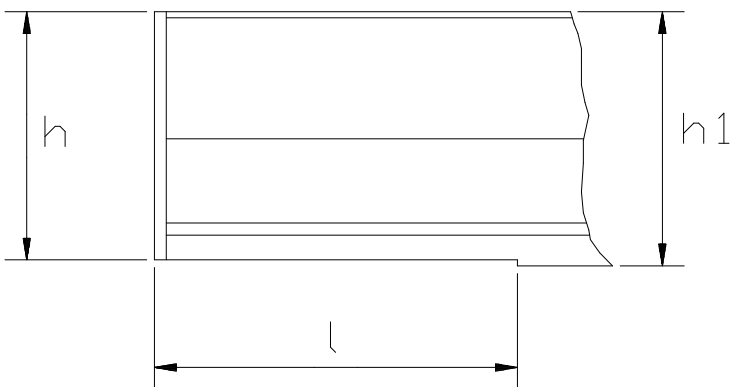
Profilo



COD. =	GM 127-2
ISO 7465 =	T 127-2/B
b1 =	127 mm +/-1.5
h1 =	88.9 mm +/-0.75
h =	88 mm +/-0.1
k =	15.88 mm 0/+0.1
n =	50.8 mm 0/+3
c =	10 mm
g =	12.7 mm +/-0.75
f =	15.9 mm
rs =	5 mm
l =	156 mm 0/+3

LEGENDA TABELLA

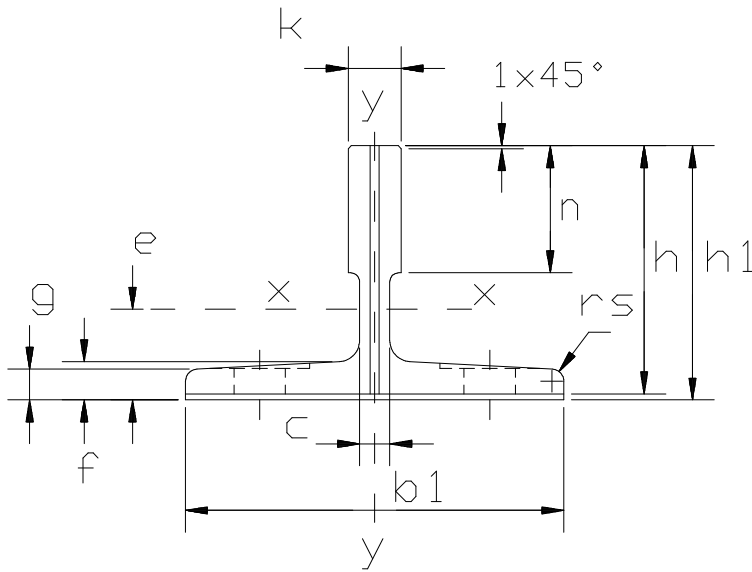
h >> Disponibile su richiesta





**GE 125 125x82x16 ISO 7465 T 125/BE**

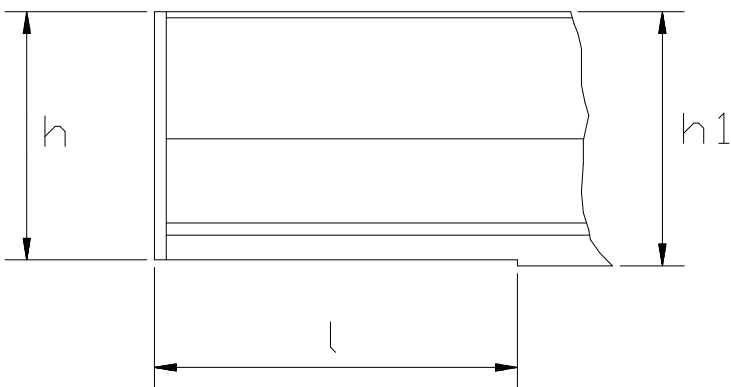
Profilo



COD. =	GE 125
ISO 7465 =	T 125/BE
b1 =	125 mm +/-1.5
h1 =	82 mm +/-0.75
> h =	81 mm +/-0.05
> k =	16 mm 0/+0.05
n =	42 mm 0/+3
c =	10 mm
g =	9 mm +/-0.75
f =	12 mm
rs =	4 mm
l =	156 mm 0/+3

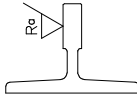
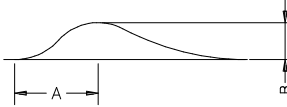
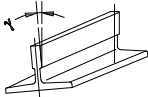
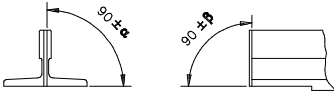
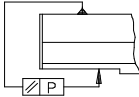
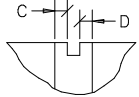
LEGENDA TABELLA

h >> Disponibile su richiesta



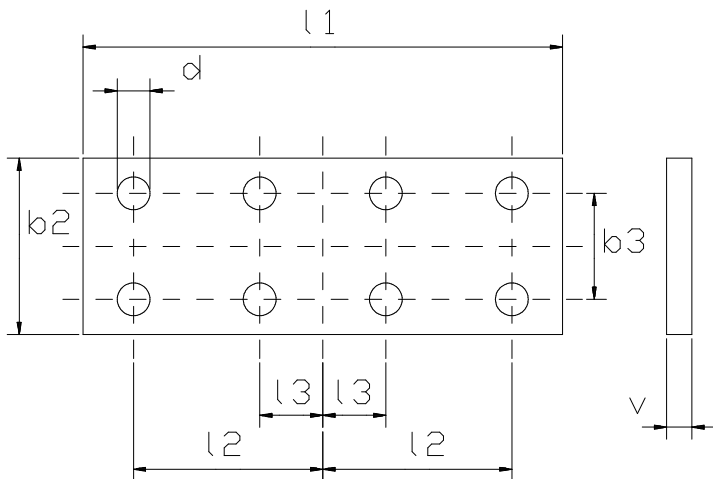
**GL 445 45x45x5 ISO 7465 T 45/A**

Tolleranze

GL-GF GM GE	Trafilate – Cold Draw Lavorate – Machined Alta Qualità – High Quality		GL-GF	GM	GE
Rugosità – Roughness		Long.	1.6-6.3	≤ 1.6	≤ 1.6
		Trasv.		1.6-6.3	1.6-3.2
Raddrizzatura – Straightness		B/A	0.0014	0.0010	0.0004
		B/5mt	2 mm	1 mm	0.5 mm
Svergolatura – Twist		$\gamma$	40' / m	30' / m	15' / m
Perpendicolarità – Perpendicularity		$\alpha$	10'	5'	5'
		$\beta$	15'	15'	15'
Parallelismo – Parallelism		P	0.2	0.2	0.1
Centraggio – Centering		C-D	+/-0.10	+/-0.10	+/-0.05

**GL 505 50x50x5 ISO 7465 T 50/A**

Piastra



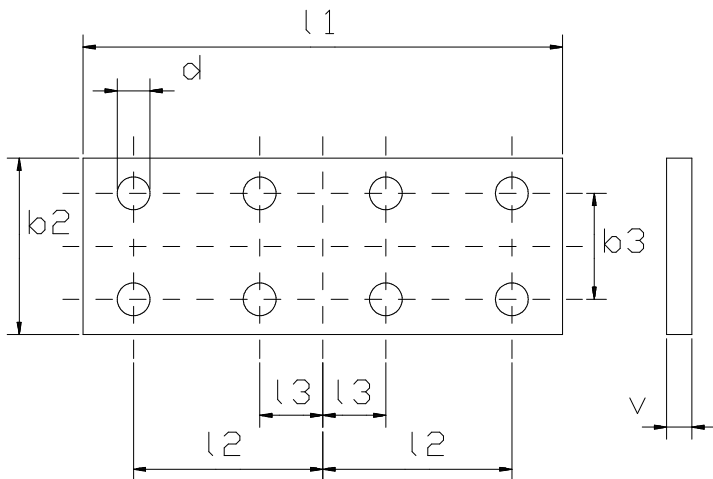
COD. =		P505/506/509
q2 =	0.6	Kg
d =	9	mm
b2 =	50	mm
b3 =	30	mm +/-0.3
l1 =	200	mm +/-1.5
l2 =	75	mm +/-0.2
l3 =	25	mm +/-0.2
v =	8	mm

LEGENDA TABELLA

q2 >> Peso di una piastra

**GF 975 90x75x16 ISO 7465 T 90/A**

Piastra



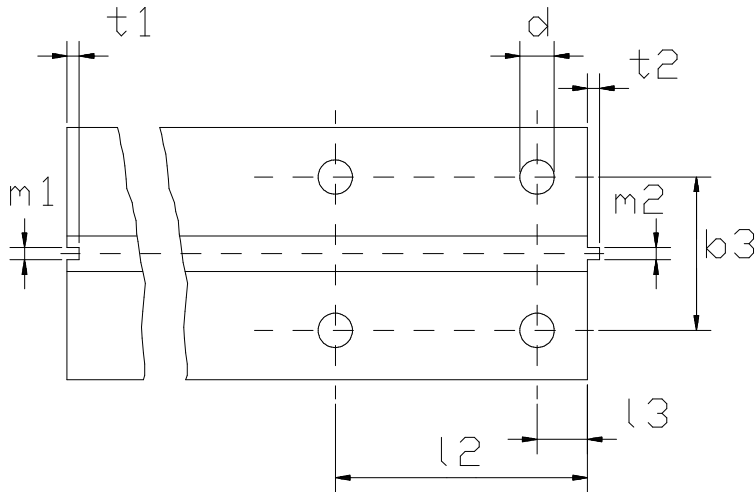
COD. =	P890/965/975
q2 = 3.1	Kg
d = 13	mm
b2 = 90	mm
b3 = 57.2	mm +/-0.2
l1 = 305	mm +/-1.5
l2 = 114.3	mm +/-0.2
l3 = 38.1	mm +/-0.2
v = 15	mm

LEGENDA TABELLA

q2 >> Peso di una piastra

**GL 505 50x50x5 ISO 7465 T 50/A**

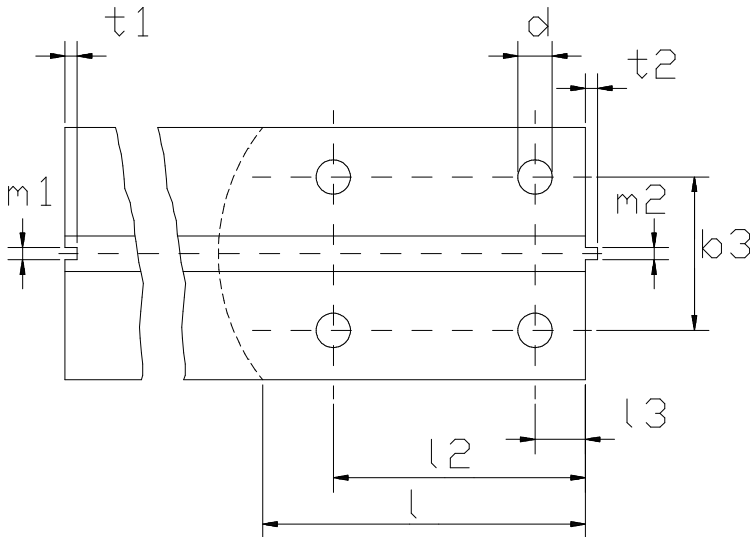
Estremita'



m1 = 2	mm	0/+0.06
m2 = 1.95	mm	-0.06/0
t1 = 2.5	mm	+/-0.1
t2 = 2	mm	+/-0.1
l2 = 75	mm	+/-0.2
l3 = 25	mm	+/-0.2
b3 = 30	mm	+/-0.3
d = 9	mm	

**GF 765 70x65x9 ISO 7465 T 70-1/A**

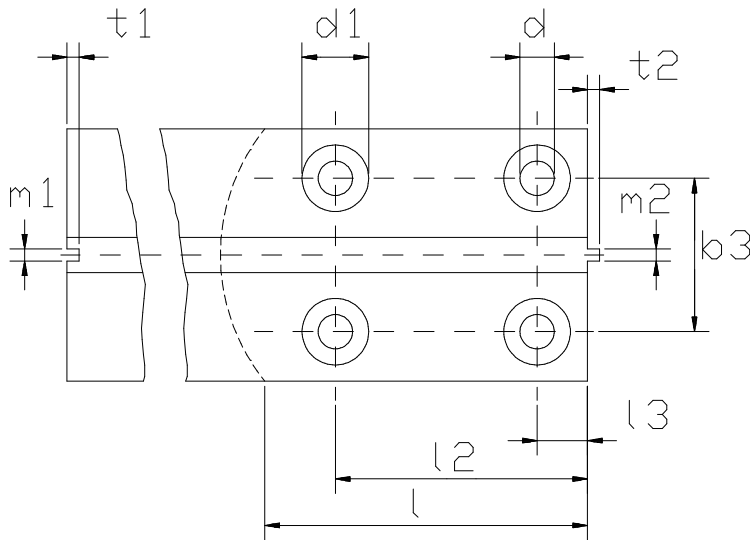
Estremita'



$m_1 = 3$	mm	$0/+0.06$
$m_2 = 2.95$	mm	$-0.06/0$
$t_1 = 3.5$	mm	$+/-0.1$
$t_2 = 3$	mm	$+/-0.1$
$l = 128$	mm	$0/+3$
$l_2 = 105$	mm	$+/-0.2$
$l_3 = 25$	mm	$+/-0.2$
$b_3 = 42$	mm	$+/-0.2$
$d = 13$	mm	

**GM 975 90x75x16 ISO 7465 T 90/B**

Estremita'



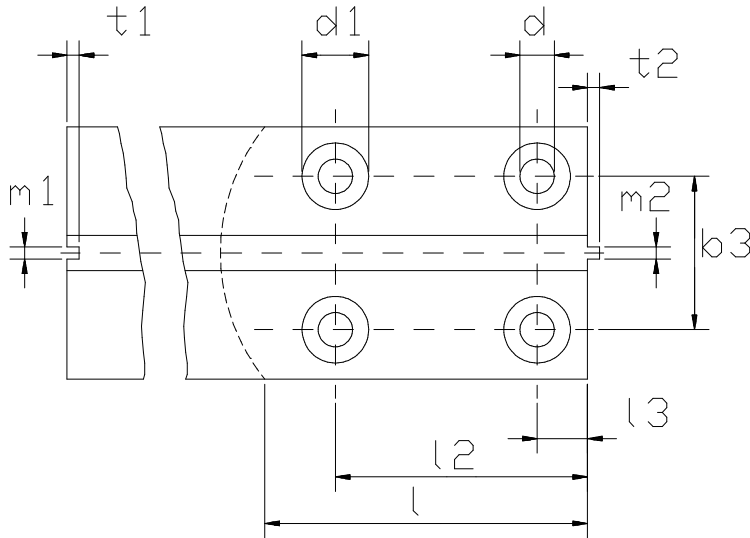
m1 =	6.4	mm	0/+0.06
m2 =	6.37	mm	-0.06/0
t1 =	7.14	mm	+/-0.1
t2 =	6.35	mm	+/-0.1
l =	156	mm	0/+3
l2 =	114.3	mm	+/-0.2
l3 =	38.1	mm	+/-0.2
b3 =	57.2	mm	+/-0.2
d =	13	mm	
d1 =	26	mm	

LEGENDA TABELLA

d1 >> Disponibile su richiesta

**GM 125 125x82x16 ISO 7465 T 125/B**

Estremita'



m1 =	6.4	mm	0/+0.06
m2 =	6.37	mm	-0.06/0
t1 =	7.14	mm	+/-0.1
t2 =	6.35	mm	+/-0.1
l =	156	mm	0/+3
l2 =	114.3	mm	+/-0.2
l3 =	38.1	mm	+/-0.2
b3 =	79.4	mm	+/-0.2
d =	17	mm	
d1 =	33	mm	

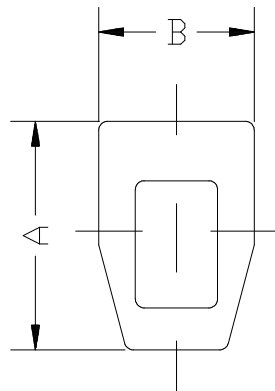
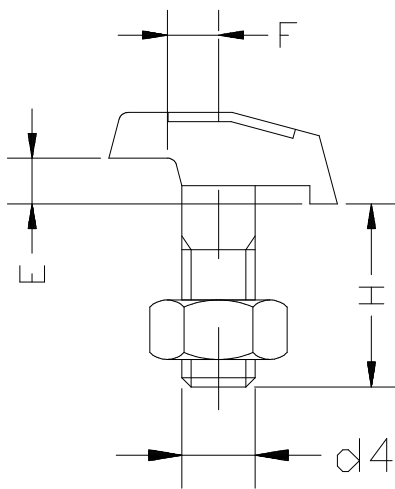
LEGENDA TABELLA

d1 >> Disponibile su richiesta

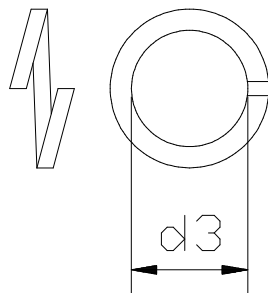
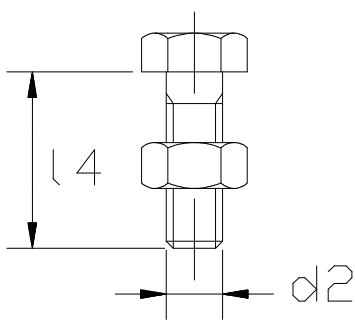


**GM 975 90x75x16 ISO 7465 T 90/B**

Accessori



COD. = T3  
 d4 = M 14  
 E = 9.5 mm  
 H = 34 mm  
 A = 45 mm  
 B = 29 mm



COD. = B12X35  
 d2 = M 12  
 l4 = 35 mm  
 COD. = R12

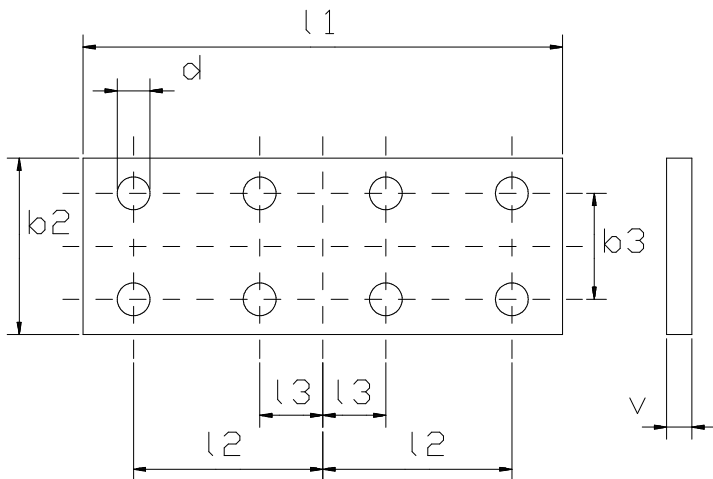
DIN 933

DIN 127

DIN 934

**GL 505 50x50x5 ISO 7465 T 50/A**

Piastra



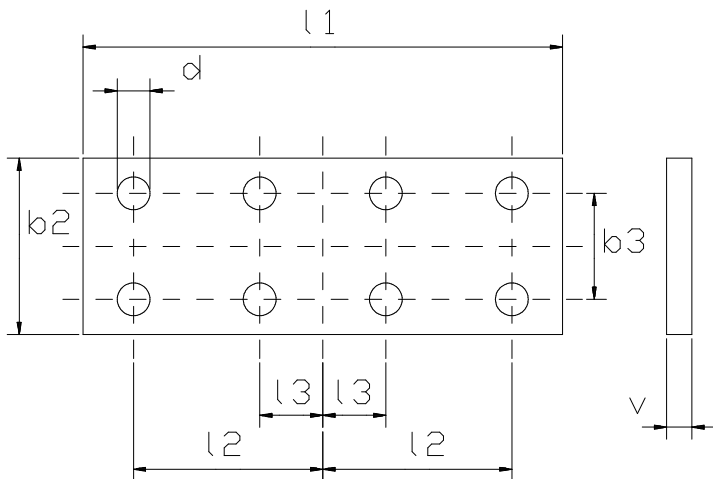
COD. =		P505/506/509
q2 =	0.6	Kg
d =	9	mm
b2 =	50	mm
b3 =	30	mm +/-0.3
l1 =	200	mm +/-1.5
l2 =	75	mm +/-0.2
l3 =	25	mm +/-0.2
v =	8	mm

LEGENDA TABELLA

q2 >> Peso di una piastra

**GF 975 90x75x16 ISO 7465 T 90/A**

Piastra



COD. =	P890/965/975	
q2 =	3.1	Kg
d =	13	mm
b2 =	90	mm
b3 =	57.2	mm +/-0.2
l1 =	305	mm +/-1.5
l2 =	114.3	mm +/-0.2
l3 =	38.1	mm +/-0.2
v =	15	mm

LEGENDA TABELLA

q2 >> Peso di una piastra